

E310 Series Industrial PC



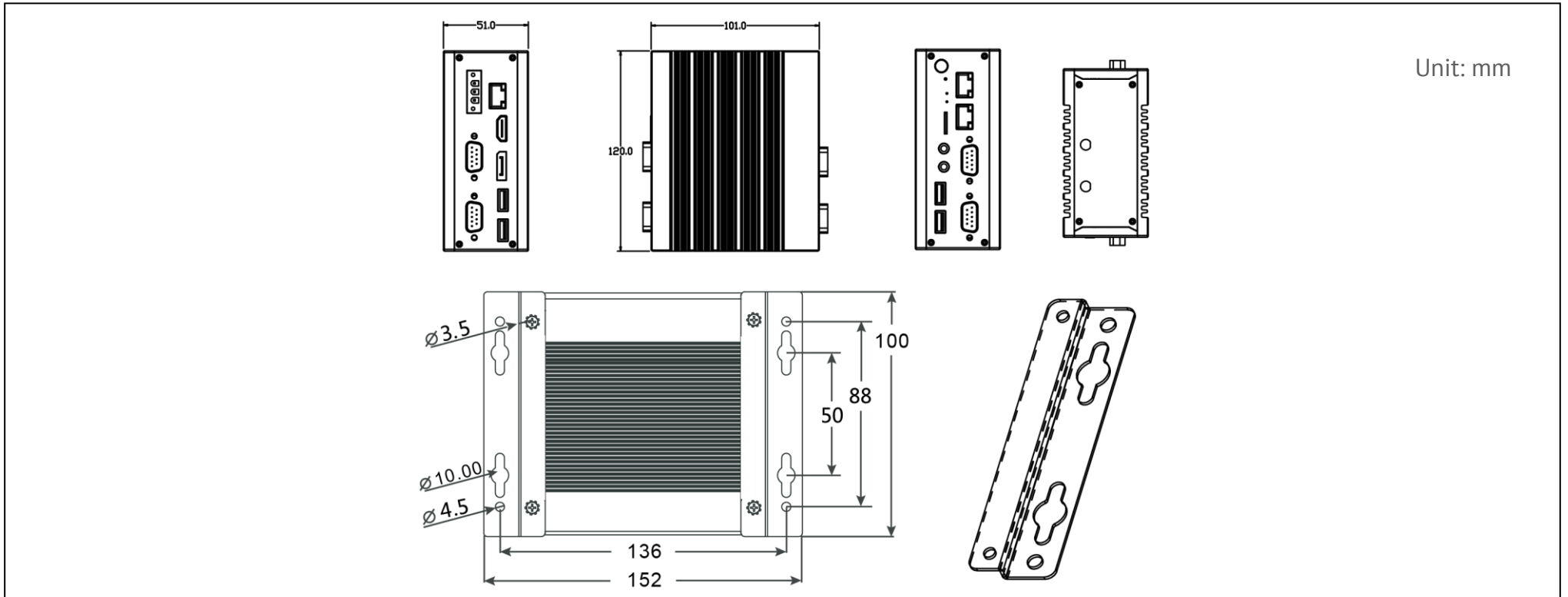
Features 产品特性

- ✓ Intel® Apollo Lake series SoC
- ✓ Dual independent displays with HDMI and DP
- ✓ 3 x GbE LAN
- ✓ 2 x RS232, 2 x RS485(optional isolated) Serial Ports
- ✓ 2 x USB 2.0, 2 x USB 3.0
- ✓ Fanless slim system, Wall mounting design

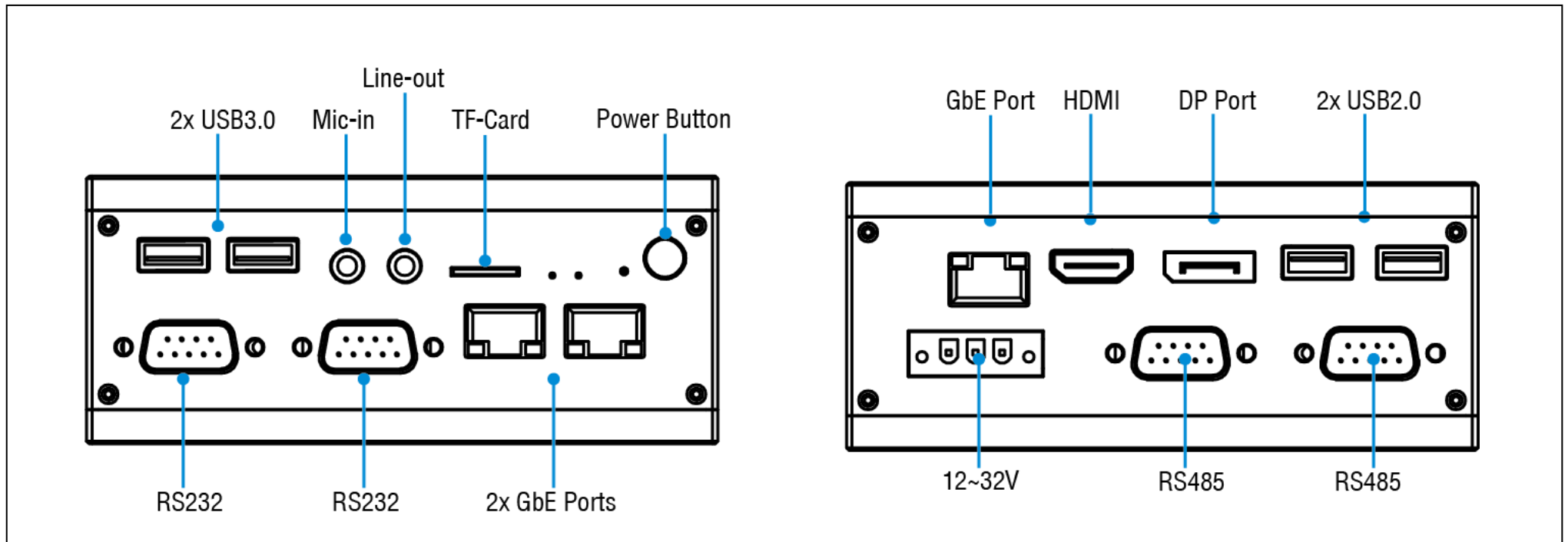
Specifications 规格信息

Item	Sub-Items	Descriptions
Processor System	CPU	Intel Apollo Lake N3350/N4200/J3355/J3455/J4205 series SoC
	BIOS	AMI 8MB UEFI BIOS
Memory	Sockets	DDR3L 1600MHz
	Capacity	Max. 8GB
Graphics	Chipset	Intel® HD Graphics 500/505
	Graphics Engine	4K Codec Decode& Encode for H.264, MPEG2, MVC, VC-1, WMV9, H.265 / HEVC, VP9
Display	DP	1 x DP, Max. 4096x 2160 @ 60Hz
	HDMI	1 x HDMI, Max. 3840 x 2160@60 Hz
	Dual Display	Yes, HDMI+DP
Audio	Controller	Realtek ALC 662, High definition Audio. Line-out, Mic-in
Ethernet	LAN	1 x RTL8111H GbE, support Wake On Lan
	LAN	2 x Intel i210-AT GbE
I/O Interfaces	USB 3.0	2
	USB 2.0	2
	Serial Ports	2 x RS-232, 2 x RS-485 (optional isolated)
Expansion	Mini-PCIe	1 x full size mini-PCIe, support WLAN/WWAN module
	SIM	1
Storage	SATA 3.0	1, support 2.5" SSD
	m.2	1
	TF Card	1
	eMMC	8GB up to 256GB
Power	Power Type	12~32V DC input
OS	OS	Windows 10 64 Bit, Linux
Physical Characteristics	Construction	Aluminium Alloy
	Mounting	Wall Mounting
	Dimensions	120 x 100 x 51mm (LxWxH)
	Weight	0.65 kg
Environment	Operating Temperature	-20 ~ 60 °C , airflow 0.7 m/s
	Storage Temperature	-40~80 °C
	Relative Humidity	95% @ 40 °C(Non-Condensing)
	Vibration During Operation	With SSD: 3 Grms, IEC 60068-2-64, random vibration, 5~500 Hz, 1 hr/axis
	Shock During Opreation	With SSD: 30 G, IEC 60068-2-27, half sine, 11m duration
	ESD	Contact +/-4 KV, Air +/-8 KV
	EMC	CE/FCC

Dimensions 尺寸



Interface 接口



Ordering Information 订购信息

Model	CPU	Memory	GbE	USB3.0	USB2.0	RS-232	RS-485	Audio	HDMI	DP	Power Input
E310-1130	Intel Celeron J3355 2.5 GHz SoC	Optional	3	2	2	2	2	2	1	1	12~32V
E310-2260	Intel Pentium J3455 2.3 GHz SoC	Optional	3	2	2	2	2	2	1	1	12~32V
E310-3260	Intel Pentium N4200 2.5 GHz SoC	Optional	3	2	2	2	2	2	1	1	12~32V
E310-5260	Intel Pentium J4205 2.6 GHz SoC	Optional	3	2	2	2	2	2	1	1	12~32V