

# E300 Series

## Intel Apollo Lake SoC Fanless Box PC

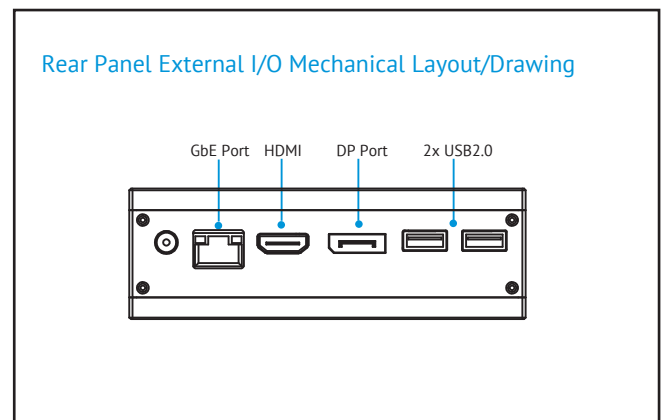
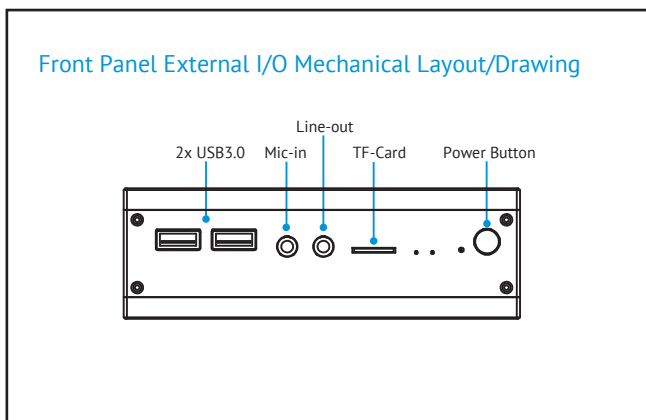
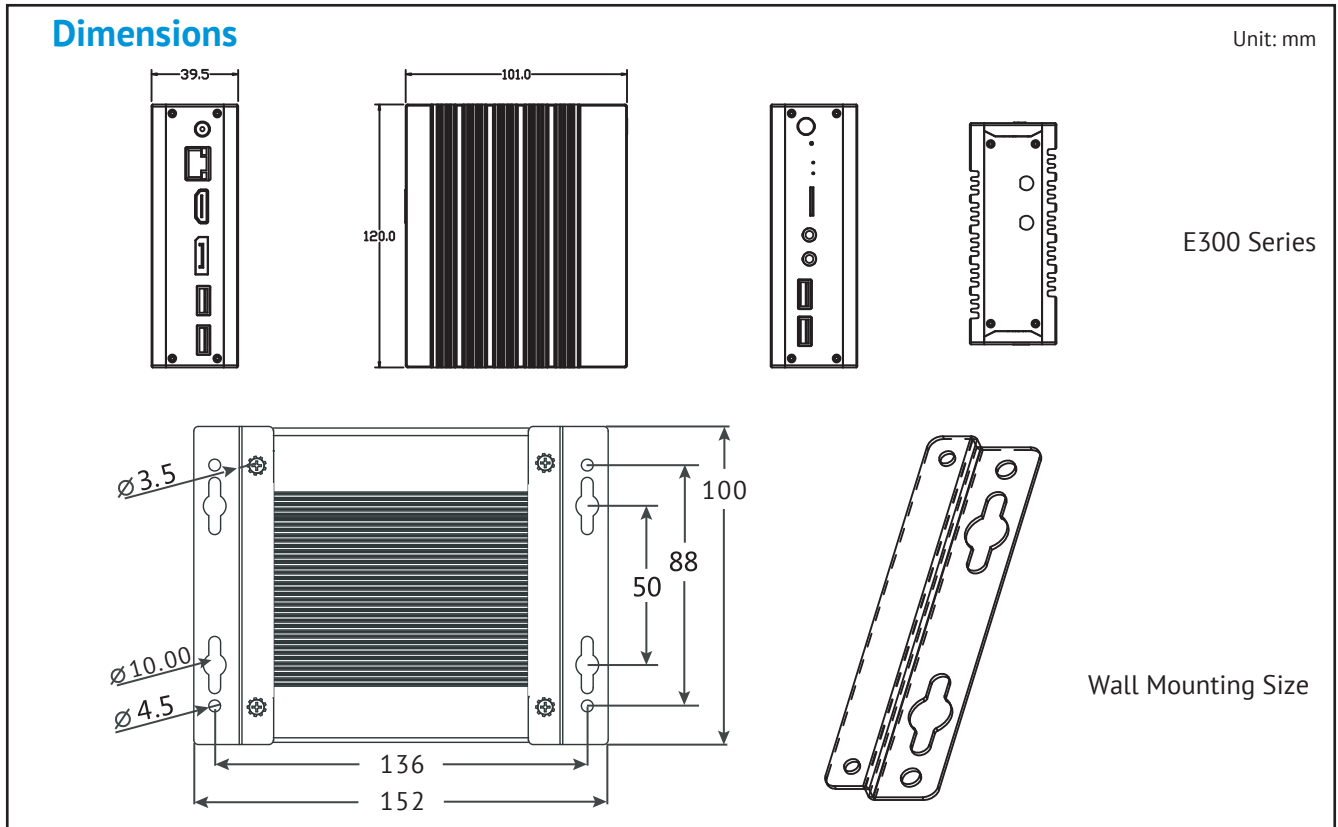


### Features

- Intel® Apollo Lake series SoC
- Dual independent displays with HDMI and DP
- 1 x Gigabit LAN
- 1 x M.2 2230 E Key for WiFi communication module
- 1 x M.2 for 2242 SSD
- Wide temperature operation:-20°C~60°C
- Fanless slim system, Wall mounting design

### Specifications

		E300 Series
Processor System	CPU	Intel Apollo Lake N3350/J3355/N4200/J4205 series SoC
	Lithography	14nm
	L2 Cache	2 MB
	BIOS	AMI 8Mb UEFIBIOS
Memory	Technology	DDR3L 1600MHz
	Capacity	2GB (up to 8GB)
	Memory Chip	Memory chips Onboard
Display	Chipset	Intel® HD Graphics 500/505
	Graphics Engine	4K Codec Decode & Encode for H.264, MPEG2, MVC, VC-1, WMV9, H.265 / HEVC, VP9
	DP	Max. 4096 x 2160 @ 60Hz
	HDMI	Max. 3840 x 2160 @ 30Hz
	Dual Display	Yes, HDMI + DP
Audio	Controller	Realtek ALC662, High Definition Audio. Line-out, Mic-in
Ethernet	LAN1	RTL8111H GbE, support Wake On Lan
I/O Interface	USB2.0 Interface	2 x USB2.0
	USB3.0 Interface	2 x USB3.0
	Serial Ports	1 x RS232(optional)
Expansion	M.2 E Key	1 x M.2 E Key for WLAN
Storage	eMMC	8GB up to 256GB
	M.2	1 x 2242 SSD
	TF-Card	1 x TF
Power Supply	DC Input	24W AC-DC power adaptor
OS	Microsoft Windows	Windows 10 64Bit
	Linux	Support
Physical Characteristics	Construction	Aluminium Alloy
	Mounting	Wall Mounting
	Dimensions	120 x 100 x 39mm (LxWxH)
	Weight	0.57 Kg
Environment	Operating Temperature	-20°C~60°C, airflow 0.7m/s
	Storage Temperature	-40°C~80°C
	Relative Humidity	95% @ 40°C ( Non-Condensing)
	Vibration During Operation	With SSD : 3Grms, IEC 60068-2-64, random vibration, 5~500Hz, 1hr/axis
	Shock During Operation	With SSD : 30 G, IEC 60068-2-27, half sine, 11m duration
	ESD	Contact +/-4 KV, Air +/-8 KV
EMC	CE/FCC Class B	



## Ordering Information

P/N	CPU	Memory	GbE	USB2 .0	USB3 .0	RS -232	RS - 485	Audio	Expansion	eMMC	SATA3 .0	TF	M .2 SSD	Power Input
E300-1130	Intel Celeron J3355 2.4 GHz SoC	2GB	1	2	2	-	-	Line - out Mic-in	1xM.2 E Key	32GB	-	1	1x2242 SSD	12V 2A
E300-3250	Intel Pentium N4200 2.5 GHz SoC	4GB	1	2	2	-	-	Line - out Mic-in	1xM.2 E Key	-	-	1	64GB	12V 2A
E300-3260	Intel Pentium N4200 2.5 GHz SoC	4GB	1	2	2	-	-	Line - out Mic-in	1xM.2 E Key	-	-	1	128GB	12V 2A
E300-5250	Intel Pentium J4205 2.6 GHz SoC	4GB	1	2	2	-	-	Line - out Mic-in	1xM.2 E Key	-	-	1	64GB	12V 2A

## Packing List

P/N	Description
	1 x E300 Unit
	1 x AC-DC Adapter, DC12V/2A 24W

## Optional Item for Default SKU

P/N	Description
	Wall mounting kits