

E522 Series Industrial PC

Features 产品特性

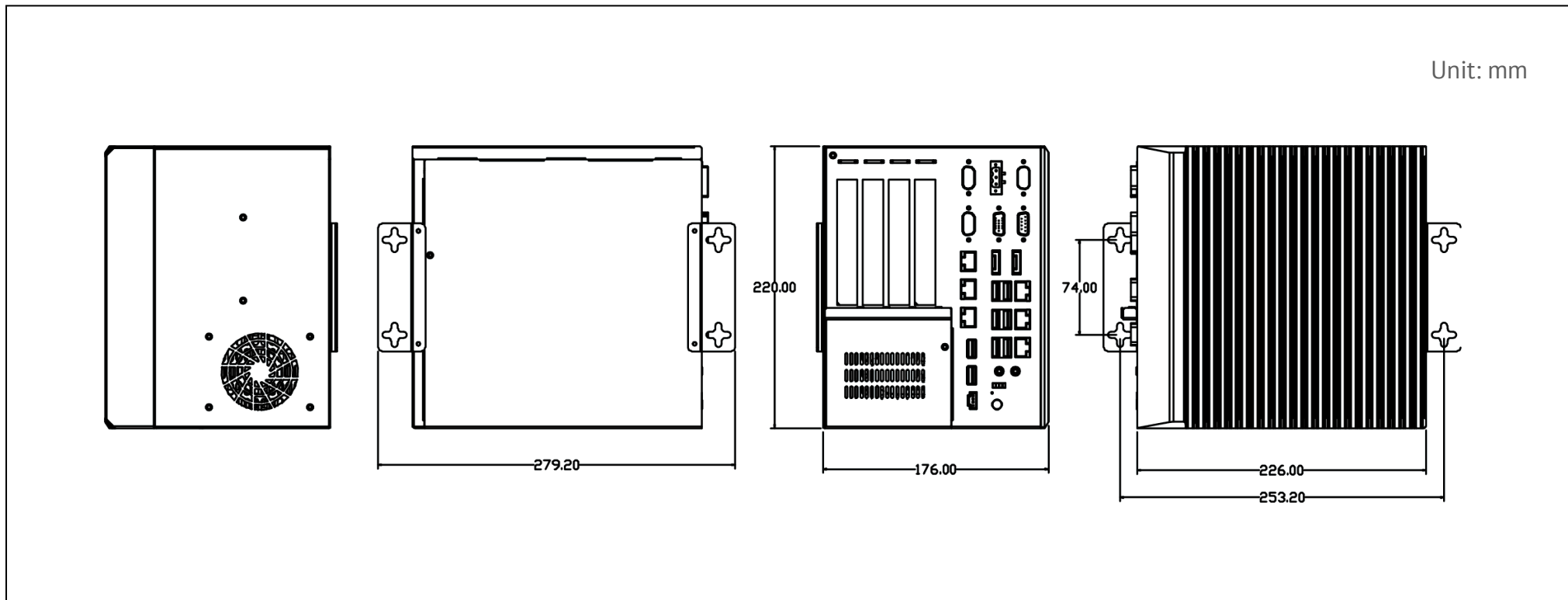
- Intel® 6th/7th/8th/9th Gen Processors with LGA1151
- Support for 2 independent displays via Dual DP and one VGA ports with resolution up to 4K UHD
- 2 x DDR4 SO-DIMM sockets support up to 32 GB memory
- 1 x PCIe Gen3 x16 slot, 1 x PCIe Gen2 x2 slot, 2 x PCI slots
- 6 x Gigabit LAN (5 x Intel i210/i211-AT, 1 x Intel i219-LM)
- 8 x USB ports and 1 x internal USB 2.0 Type-A connector
- 2 x RS485/232, 2 x RS232
- Compact and Rugged design



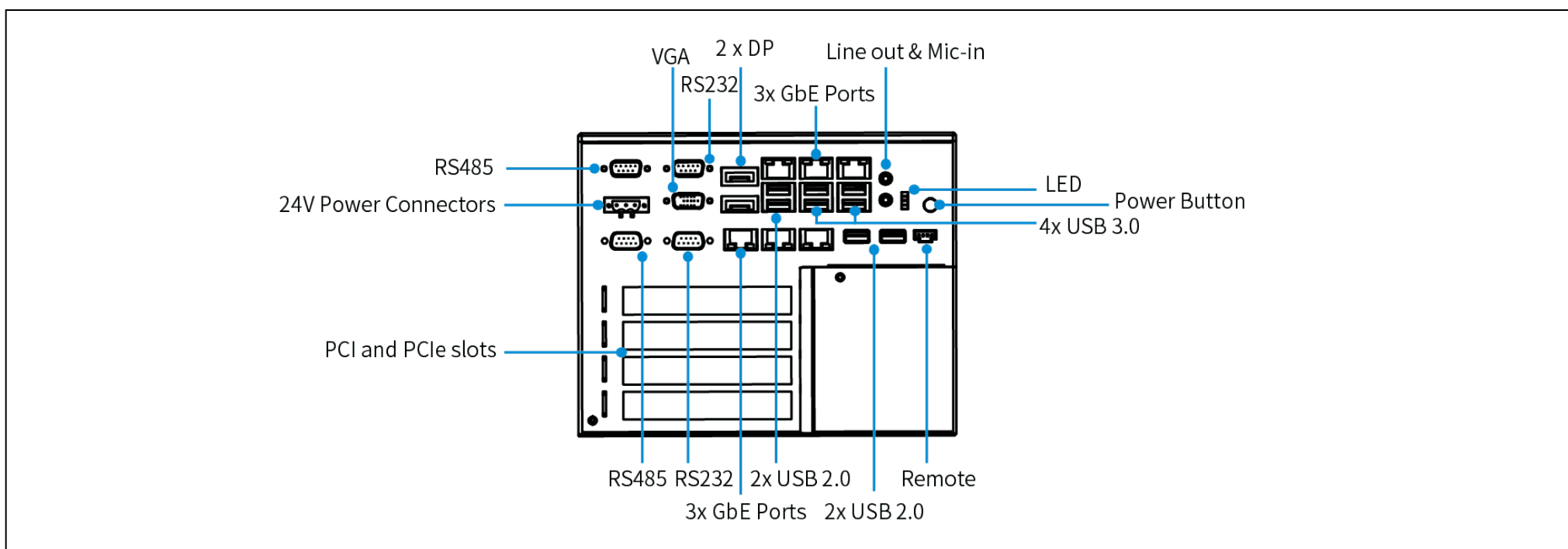
Specifications 规格信息

Specs	Item	E522 Series
Processor System	CPU	Intel® 6th/7th/8th/9th Gen Processors with LGA1151
	Chipset	H110
	BIOS	AMI 8MB UEFI
Memory	Sockets	2 x DDR4 SO-DIMM
	Capacity	4GB, Max. 32GB
Display	DP	2 x DP (4K2K resolution), Max. 4096 x 2304 @60Hz
	VGA	1 x VGA, Max. 1920 x 1080 @60Hz
	Dual Display	Yes, DP + DP or DP + VGA
Audio	Controller	Realtek ALC662, High Definition Audio. Line-out, Mic-in
Ethernet	LAN	5 x Intel® i210/i211-AT GbE, 1 x Intel® i219-LM GbE
Peripheral Interface	USB	4 x USB2.0, 4 x USB3.0, 1 x USB2.0 internal
	COM	2 x RS-232/485, 2 x RS-232
	Remote	4-pin remote power on/off switch and LED on the front
Storage	SATA3.0	1 x SATA3.0, support 2.5" SSD
	m.2	1 x m.2
Expansion	Mini-PCIe	1 x full-size Mini-PCIe, with WLAN/WWAN module support
	Internal USB	1 x USB2.0 internal
	USIM	1 x USIM
	PCIe and PCI	1 x PCIe 3.0 x16 slot, 1 x PCIe 2.0 x2 slot, 2 x PCI
	SATA 3.0	2 x SATA 3.0, support 2.5" SSD
Watchdog	Output/Interval	Interrupt, System Reset/255 levels timer interval, from 1 to 255 sec
Power Supply	DCInput	24V DC
OS	MicrosoftWindows	Windows 7 (only for Intel® Gen6 CPUs) or Windows 10 64bit
	Linux	Yes
Physical Characteristics	Construction	Aluminium Alloy
	Mounting	Wall- Mounting
	Dimensions	220 x 226 x 176mm (LxWxH)
	Weight	4.3 Kg
Environment	Operating Temperature	0°C~50°C, Airflow 0.7m / s
	Storage Temperature	-40°C~80°C
	Relative Humidity	10~95%@40°C(Non-Condensing)
	Vibration During Operation	With SSD:3Grms, IEC 60068-2-64, random vibration, 5~500 Hz, 1hr/axis
	Shock During Operation	With SSD:30 G, IEC 60068-2-27, half sine, 11m duration
	ESD	Contact +/-4 KV, Air +/-8 KV
	EMC	CE/FCC Class B

Dimensions 尺寸



Interface 接口



Ordering Information 订购信息

Model	CPU	Memory	GbE	2.5 GbE	USB3.0	USB2.0	RS-232	RS-485	Audio	Expansion	USIM	m.2	SATA 3.0	VGA	DP	DC-Input
E522	Optional	Optional	6	-	4	4	2	2	2	1 mini-PCIe 1 PCIe x16 1 PCIe x2 2 PCI	1	1	3	1	2	24V DC-IN

CPU List 可选处理器

	Intel Coffee Lake CPUs							Intel Kaby Lake CPUs						
CPU	i7- 9700	i5- 9400	i3- 9100	i7- 8700	i5- 8400	i3- 8100	Pentium-G5400	Celeron-G4900	i7- 7700	i5- 7500	i3- 7100	Pentium-G4560	Celeron-G3930	
Frequency	3.0GHz	2.9GHz	3.6GHz	3.2GHz	2.8GHz	3.6GHz	3.7GHz	3.1GHz	3.6GHz	3.4GHz	3.9GHz	3.5GHz	2.9GHz	
Up to	4.7GHz	4.1GHz	4.2GHz	4.6GHz	4.0GHz				4.2GHz	3.8GHz				
Cores	8	6	4	6	6	4	2	2	4	4	2	2	2	
Threads	8	6	4	12	6	4	4	2	8	4	4	4	2	
TDP	65W	65W	65W	65W	65W	65W	58W	54W	65W	65W	51W	54W	51W	
Cache	12M	9M	6M	12M	9M	6M	4M	2M	8M	6M	3M	3M	2M	