

E512 Series Industrial PC



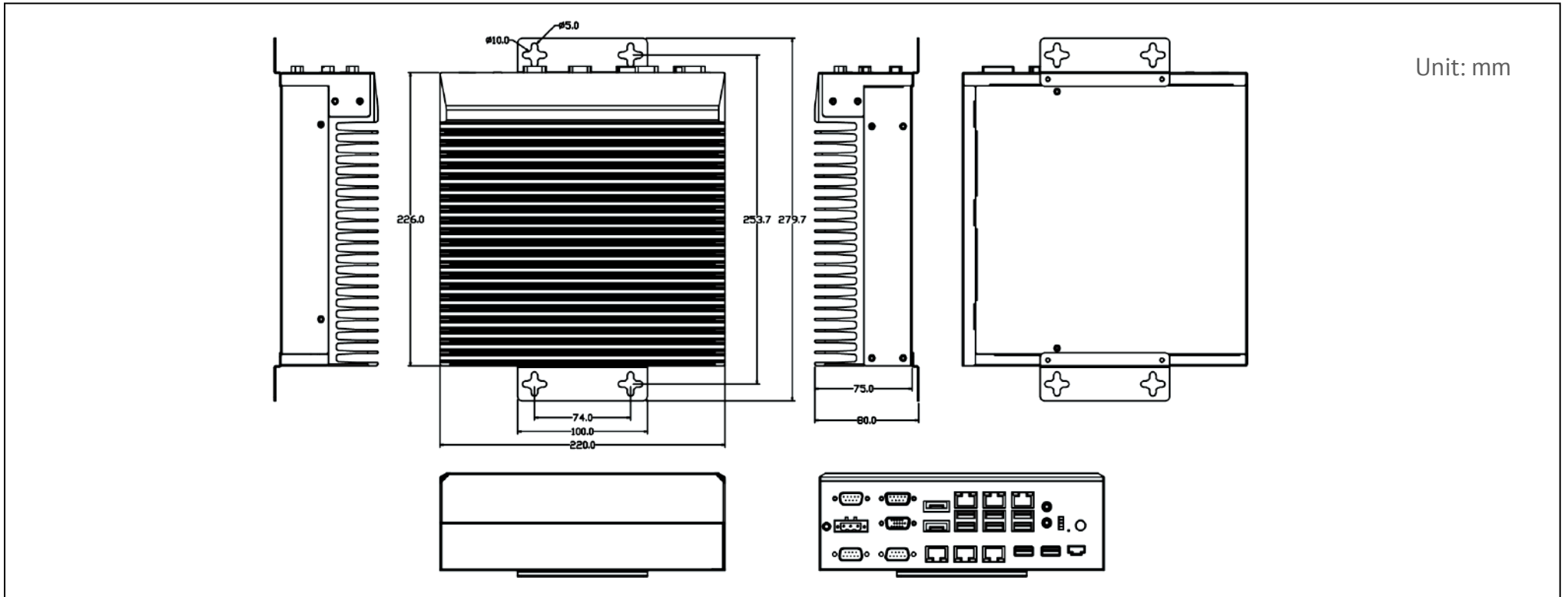
✓ Features 产品特性

- ✓ Intel® 6th/7th/8th/9th Gen Processors with LGA1151
- ✓ Support for 2 independent displays via dual DP and one VGA port with resolution up to 4K UHD
- ✓ 2 x DDR4 SO-DIMM sockets support up to 32GB memory
- ✓ 6 x Gigabit LAN(5 x Intel i211-AT /i210-AT and 1 x Intel i219-LM)
- ✓ 2 x RS-485, 2 x RS-232
- ✓ Compact and fanless design

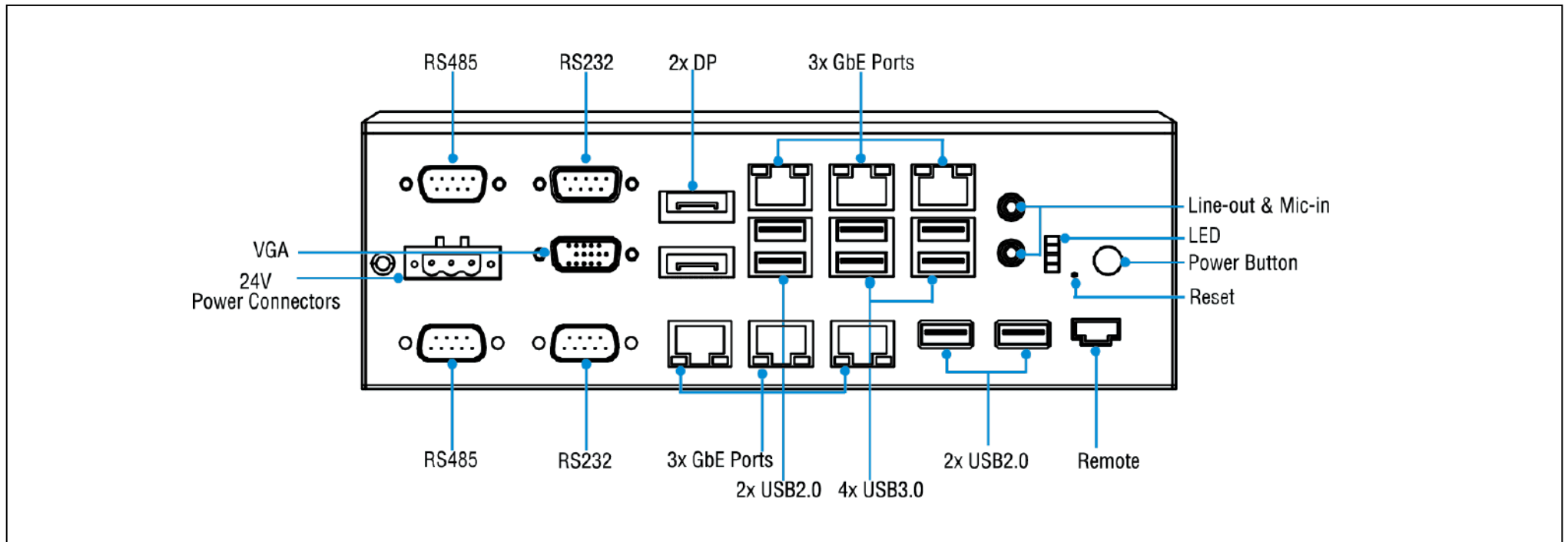
✓ Specifications 规格信息

Item	Sub-Items	Descriptions
Processor System	CPU	Intel® 6th/7th/8th/9th Gen Processors with LGA1151
	Chipset	H110
	BIOS	AMI 8MB UEFI BIOS
Memory	Sockets	Dual channel 260-PIN DDR4 SO-DIMM
	Capacity	4 GB (Max. 32GB)
Display	DP	2 x DP(4K 2K resolution), Max. 4096 x 2304@60 Hz
	VGA	1 x VGA, Max. 1920 x 1080@60 Hz
	Dual Display	Yes, DP + DP or DP + VGA
Audio	Controller	Realtek ALC 662, High definition Audio. Line-out, Mic-in
Ethernet	LAN	5 x Intel i211-AT/ i210-AT GbE
	LAN	1 x Intel i219-LM GbE
I/O Interfaces	USB 3.0	4
	USB 2.0	4
	Serial Ports	2 x RS-232, 2 x RS-485
	Clear CMOS	1
Expansion	mini-PCIe	1 x full size mini-PCIe, support WLAN/WWAN module
	USIM	1
Storage	SATA 3.0	1, support 2..5" SSD
	m.2	1
Watchdog	Output/Interval	Interrupt, System Reset/255 levels timer interval, from 1 to 255 sec
Power	Power Type	24V DC input
OS	OS	Windows 7(6th Gen only), Windows 10 64 Bit, Linux
Physical Characteristics	Construction	Aluminium Alloy
	Mounting	Wall Mounting
	Dimensions	220 x 226 x 75mm (LxWxH)
	Weight	3.3Kg
Environment	Operating Temperature	0~50 °C , airflow 0.7 m/s
	Storage Temperature	-40~80 °C
	Relative Humidity	95% @ 40 °C(Non-Condensing)
	Vibration During Operation	With SSD: 3 Grms, IEC 60068-2-64, random vibration, 5~500 Hz, 1 hr/axis
	Shock During Opreation	With SSD: 30 G, IEC 60068-2-27, half sine, 11m duration
	ESD	Contact +/-4 KV, Air +/-8 KV
	EMC	CE/FCC Class B

✓ **Dimensions 尺寸**



✓ **Interface 接口**



✓ **Ordering Information 订购信息**

Model	CPU	Memory	GbE	USB3.0	USB2.0	RS-232	RS-485	Audio	Expansion	USIM	m.2	SATA 3.0	VGA	DP	DC-Input
E512 Series	Optional	Optional	6	4	4	2	2	2	1 x mini-PCIe	1	1	1	1	2	24V DC-IN

✓ **CPU List**

	Intel Coffee Lake CPUs								Intel Kaby Lake CPUs				
CPU	i7- 9700	i5- 9400	i3- 9100	i7- 8700	i5- 8400	i3- 8100	Pentium-G5400	Celeron-G4900	i7- 7700	i5- 7500	i3- 7100	Pentium-G4560	Celeron-G3930
Frequency	3.0GHz	2.9GHz	3.6GHz	3.2GHz	2.8GHz	3.6GHz	3.7GHz	3.1GHz	3.6GHz	3.4GHz	3.9GHz	3.5GHz	2.9GHz
Up to	4.7GHz	4.1GHz	4.2GHz	4.6GHz	4.0GHz				4.2GHz	3.8GHz			
Cores	8	6	4	6	6	4	2	2	4	4	2	2	2
Threads	8	6	4	12	6	4	4	2	8	4	4	4	2
TDP	65W	65W	65W	65W	65W	65W	58W	54W	65W	65W	51W	54W	51W
Cache	12M	9M	6M	12M	9M	6M	4M	2M	8M	6M	3M	3M	2M